

NEW

OMRON

Wet Process Sensor

E32-L11FP Head Unit

E32-L11FS/L12FS Head Unit

E3X-DA□□TG-S Amplifier Unit

Stable Detection of Glass in Wet Processes

Non-contact Operation Simplifies Mounting and Maintenance

Patent Pending

 S Mark Certified
(except for PNP output model)

Special Amplifier
E3X-DA□□TG-S

Heat-resistant PVC/
Fluoro-resin Model
E32-L11FP
/ Cleaning

/ Etching

/ Resist Developing

New Concept: New Algorithm "Tough Mode"
Eliminates Interference from Water Droplets

High resistance to liquid splatter for incredibly stable detection.

Even in misty
environments!

4000 1000

With glass

0 1000

Without glass

SUS316L/Fluoro-resin Model
E32-L11FS/L12FS

/ Resist Stripping

/ Handles 85°C/70°C

Non-contact Detection

Detection is possible whether the Head Unit is installed vertically or horizontally.



Less maintenance is required because there are no mechanical parts.

Height adjustment is very easy because of the wide sensing area.

realizing




Ordering Information

Type	Appearance (mm) *	Sensing distance (mm)	Standard object	Min. bending radius (mm)	Features	Model
Limited-reflective		8 to 20 mm from the lens tip (recommended sensing distance: 11 mm) 19 to 31 mm from the center of mounting hole A (recommended sensing distance: 22 mm) (See the dimension drawings.)	Glass (t = 0.7 mm)	R40	Materials: Heat-resistant PVC and fluororesin IP67 at 60°C	E32-L11FP 2M
						E32-L11FP 5M
		8 to 20 mm from the lens tip (recommended sensing distance: 11 mm) 32 to 44 mm from the center of mounting hole A (recommended sensing distance: 35 mm) (See the dimension drawings.)			Materials: SUS316L and fluororesin IP67 at 85°C	E32-L11FS 2M
						E32-L11FS 5M
	Materials: SUS316L and fluororesin IP67 at 70°C	E32-L12FS 2M				
		E32-L12FS 5M				

*  Indicates models that allow free cutting.

Amplifier Units

Appearance	Connection method	Functions	Model	
			NPN output	PNP output
	Pre-wired model (2 m)	<input type="checkbox"/> Tough Mode <input type="checkbox"/> Super Tough Mode <input type="checkbox"/> ON-delay and OFF-delay timer	E3X-DA11TG-S 2M	E3X-DA41TG-S 2M

Ratings and Specifications

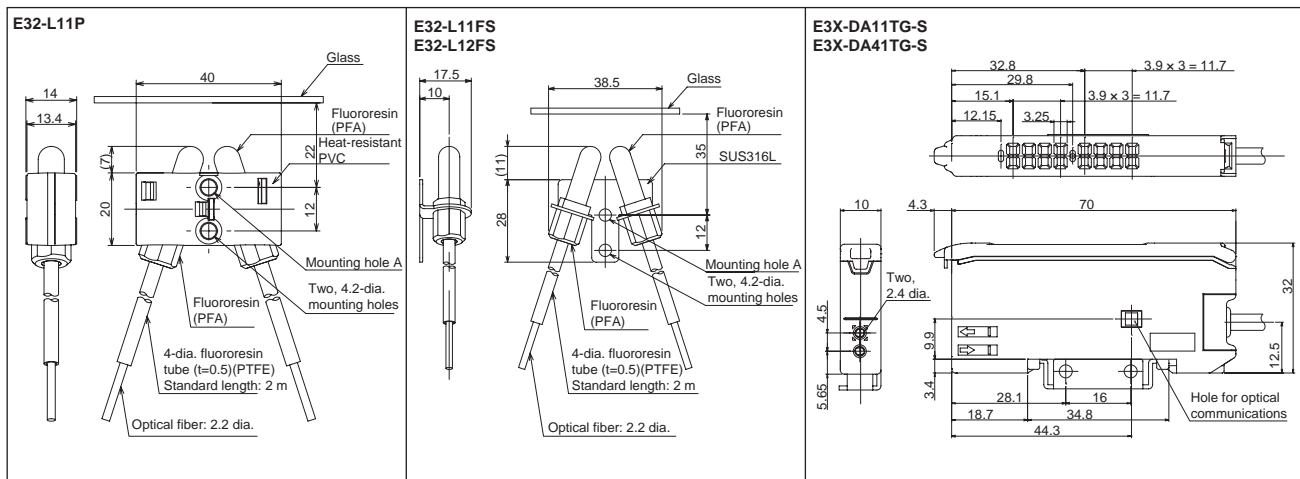
Item	Model Output	E3X-DA11TG-S	E3X-DA41TG-S
		NPN open-collector output	PNP open-collector output
Power supply voltage		12 to 24 VDC ±10%, ripple (p-p) 10% max.	
Power consumption		960 mW max. (current consumption: 40 mA max. at power supply voltage of 24 VDC)	
Control output		Load power supply voltage: 26.4 VDC, load current: 50 mA max.; residual voltage: 1 V max.	
Response time		Tough Mode (TG): Operate/reset in 16 ms each, Super Tough Mode (STG): Operate/reset in 64 ms each Standard Mode (STND): Operate/reset in 1 ms each, High-resolution Mode (HRES) Operate/reset in 4 ms each	
Timer function		ON-delay/OFF-delay timer, OFF-delay timer, ON-delay timer, one-shot timer	

Note 1: The factory settings are as follows: Tough Mode with an ON-delay/OFF-delay timer.

2: Be sure to check the chemicals and sprays used in the ambient environment before using the Wet Sensor.

Dimensions

(Unit: mm)



This document provides information mainly for selecting suitable models. Please read Instruction Sheet carefully for information that the user must understand and accept before purchase, including information on warranty, limitations of liability, and precautions.

OMRON Corporation

Industrial Automation Company

Sensing Devices Division H.Q.

Industrial Sensors Division

Shiokoji Horikawa, Shimogyo-ku,

Kyoto, 600-8530 Japan

Tel: (81)75-344-7022/Fax: (81)75-344-7107

Regional Headquarters

OMRON EUROPE B.V.

Sensor Business Unit

Carl-Benz-Str. 4, D-71154 Nufringen,

Germany

Tel: (49) 7032-811-0/Fax: (49) 7032-811-199

OMRON ELECTRONICS LLC

One Commerce Drive Schaumburg,

IL 60173-5302 U.S.A.

Tel: (1) 847-843-7900/Fax: (1) 847-843-7787

OMRON ASIA PACIFIC PTE. LTD.

No. 438A Alexandra Road # 05-05/08 (Lobby 2),

Alexandra Technopark, Singapore 119967

Tel: (65) 6835-3011/Fax: (65) 6835-2711

OMRON (CHINA) CO., LTD.

Room 2211, Bank of China Tower,

200 Yin Cheng Zhong Road,

Pu Dong New Area, Shanghai, 200120, China

Tel: (86) 21-5037-2222/Fax: (86) 21-5037-2200

Authorized Distributor:

© OMRON Corporation 2008 All Rights Reserved.
In the interest of product improvement,
specifications are subject to change without notice.

Read and Understand This Catalog

Please read and understand this catalog before purchasing the products. Please consult your OMRON representative if you have any questions or comments.

Warranty and Limitations of Liability

WARRANTY

OMRON's exclusive warranty is that the products are free from defects in materials and workmanship for a period of one year (or other period if specified) from date of sale by OMRON.

OMRON MAKES NO WARRANTY OR REPRESENTATION, EXPRESS OR IMPLIED, REGARDING NON-INFRINGEMENT, MERCHANTABILITY, OR FITNESS FOR PARTICULAR PURPOSE OF THE PRODUCTS. ANY BUYER OR USER ACKNOWLEDGES THAT THE BUYER OR USER ALONE HAS DETERMINED THAT THE PRODUCTS WILL SUITABLY MEET THE REQUIREMENTS OF THEIR INTENDED USE. OMRON DISCLAIMS ALL OTHER WARRANTIES, EXPRESS OR IMPLIED.

LIMITATIONS OF LIABILITY

OMRON SHALL NOT BE RESPONSIBLE FOR SPECIAL, INDIRECT, OR CONSEQUENTIAL DAMAGES, LOSS OF PROFITS, OR COMMERCIAL LOSS IN ANY WAY CONNECTED WITH THE PRODUCTS, WHETHER SUCH CLAIM IS BASED ON CONTRACT, WARRANTY, NEGLIGENCE, OR STRICT LIABILITY.

In no event shall responsibility of OMRON for any act exceed the individual price of the product on which liability is asserted.

IN NO EVENT SHALL OMRON BE RESPONSIBLE FOR WARRANTY, REPAIR, OR OTHER CLAIMS REGARDING THE PRODUCTS UNLESS OMRON'S ANALYSIS CONFIRMS THAT THE PRODUCTS WERE PROPERLY HANDLED, STORED, INSTALLED, AND MAINTAINED AND NOT SUBJECT TO CONTAMINATION, ABUSE, MISUSE, OR INAPPROPRIATE MODIFICATION OR REPAIR.

Application Considerations

SUITABILITY FOR USE

OMRON shall not be responsible for conformity with any standards, codes, or regulations that apply to the combination of products in the customer's application or use of the product.

At the customer's request, OMRON will provide applicable third party certification documents identifying ratings and limitations of use that apply to the products. This information by itself is not sufficient for a complete determination of the suitability of the products in combination with the end product, machine, system, or other application or use.

The following are some examples of applications for which particular attention must be given. This is not intended to be an exhaustive list of all possible uses of the products, nor is it intended to imply that the uses listed may be suitable for the products:

- Outdoor use, uses involving potential chemical contamination or electrical interference, or conditions or uses not described in this catalog.
- Nuclear energy control systems, combustion systems, railroad systems, aviation systems, medical equipment, amusement machines, vehicles, safety equipment, and installations subject to separate industry or government regulations.
- Systems, machines, and equipment that could present a risk to life or property.

Please know and observe all prohibitions of use applicable to the products.

NEVER USE THE PRODUCTS FOR AN APPLICATION INVOLVING SERIOUS RISK TO LIFE OR PROPERTY WITHOUT ENSURING THAT THE SYSTEM AS A WHOLE HAS BEEN DESIGNED TO ADDRESS THE RISKS, AND THAT THE OMRON PRODUCT IS PROPERLY RATED AND INSTALLED FOR THE INTENDED USE WITHIN THE OVERALL EQUIPMENT OR SYSTEM.

Disclaimers

CHANGE IN SPECIFICATIONS

Product specifications and accessories may be changed at any time based on improvements and other reasons.

It is our practice to change model numbers when published ratings or features are changed, or when significant construction changes are made. However, some specifications of the product may be changed without any notice. When in doubt, special model numbers may be assigned to fix or establish key specifications for your application on your request. Please consult with your OMRON representative at any time to confirm actual specifications of purchased product.

DIMENSIONS AND WEIGHTS

Dimensions and weights are nominal and are not to be used for manufacturing purposes, even when tolerances are shown.

ERRORS AND OMISSIONS

The information in this catalog has been carefully checked and is believed to be accurate; however, no responsibility is assumed for clerical, typographical, or proofreading errors, or omissions.

PERFORMANCE DATA

Performance data given in this catalog is provided as a guide for the user in determining suitability and does not constitute a warranty. It may represent the result of OMRON's test conditions, and the users must correlate it to actual application requirements. Actual performance is subject to the OMRON Warranty and Limitations of Liability.

PROGRAMMABLE PRODUCTS

OMRON shall not be responsible for the user's programming of a programmable product, or any consequence thereof.

COPYRIGHT AND COPY PERMISSION

This catalog shall not be copied for sales or promotions without permission.

This catalog is protected by copyright and is intended solely for use in conjunction with the product. Please notify us before copying or reproducing this catalog in any manner, for any other purpose. If copying or transmitting this catalog to another, please copy or transmit it in its entirety.